

VGB COMPLIANT DEBRIS DRAIN

MDX-R3 FOR FIBERGLASS POOLS OWNER'S MANUAL MAINTENANCE AND INSTALLATION GUIDE

SUBMERGED SUCTION OUTLET
FOR MULTIPLE DRAIN USE FOR USE ON FLOOR



Safety compliant according to the Virginia Graeme Baker Pool and Spa Safety Act ANSI/APSP - 16 - 2011
Compliant with ANSI/APSP - 7 - 2006.

NOTICE

To Installers: Read and follow these instructions. Give these instructions to the facility owner to keep for future reference. Follow all codes and regulations that apply to the design, installation and use of suction outlet fittings.

WARNING

MDX-R3 and SDX2 must be installed in accordance with Paramount's written instruction manual, and in conformity with applicable Federal, State, Local and Swimming pool industry building and safety codes.



Paramount
Pool Life. Simplified.

295 East Corporate Place • Suite 100 • Chandler, AZ 85225
Toll Free: 1.800.621.5886 • Phone: 480.893.7607 • Fax: 480.753.3397
Paramount@1Paramount.com • www.1Paramount.com
US and Foreign patents and patents pending see www.1paramount.com/about/patents/

004-027-8825-00 REV00 ECN_1073 Publish Date 120116

 **DANGER**

DEATH or **SERIOUS INJURY** will result from pool or spa drain covers or grates that are improperly installed, missing, clogged, or broken.

- Inspect pool and spa before each use to ensure that drain covers and grates are properly in place and secured.

MAINTENANCE INSTRUCTIONS & WARNINGS:

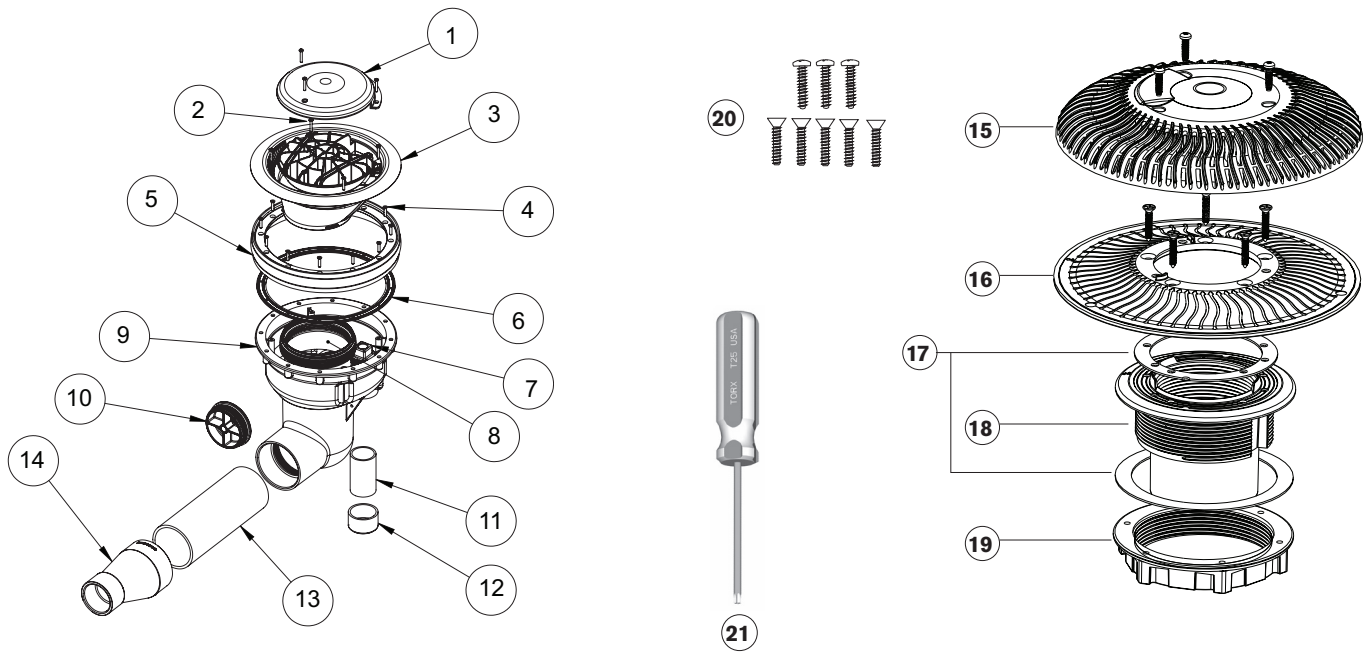
 **WARNING**

DEATH or **SERIOUS INJURY** can result from pool or spa drain covers or grates that are clogged by debris.

- All pool and spa drain covers may become obstructed by debris and should be cleaned periodically due to clogging from debris, such as pieces of plastic, hair, fabric, twigs, leaves, seeds, etc.
- The frequency of periodic cleaning will vary depending on the amount and type of debris introduced into the pool or spa
- Clogging of the drain cover will increase the suction effect and increase the likelihood of death or serious injury from those hazards listed above.
- A clogged drain can negatively affect the safety of the drain.
- It is advisable to have a qualified pool or spa professional perform this inspection and debris removal from the pool an spa drain covers.

MDX-R3 FOR FIBERGLASS POOLS PART NUMBERS

Replace cover within 05 installed years



Item	Part Number	Description
1	005-252-2110-XX	Cover (XX = Color Code)
2		Screw No. 10 X 7/8 Security Head
3	005-252-8234-XX	Funnel Assembly (Includes Support, Cover Screw and Adapter)
4		Screw No. 12 X 1 Pil Flt Hd.
5*	005-252-2048-00	Mounting Ring
6	005-252-0010-00	Gasket Vinyl (2 pcs)
7	005-252-1605-00	Plug 2" NPT (6 pcs)
8	005-252-1045-00	Funnel Adapter
9	005-252-2026-00	Sump
10	005-252-1610-00	4" Plug with O-Ring
11*		2" Pipe - Not Included - Cap If Not Used
12*		2" Cap - Not Included - Cap If Not Used
13	005-252-5524-00	Enlarged Suction Element
14	005-252-2550-00	Coupler Reducer 4" X 2 1/2"/3"
*	005-282-0842-00	Screw Pack Fiberglass (19 pc)
15	005-252-2098-XX	SDX2 Cover w/ Screws Vinyl/Fiberglass
16	005-252-2061-00	SDX2 Support Vinyl/Fiberglass
17	005-252-0072-00	SDX2 Gasket Set Vinyl/Fiberglass
18	005-252-2035-00	SDX2 Bulkhead Vinyl/Fiberglass 2 1/2"/3"
19	005-252-2090-00	SDX2 Bulkhead Nut
20	005-252-0811-00	SDX2 Screw Pack Complete for Vinyl & Fiberglass
21*	005-252-0895-00	T25 Security Screwdriver

* Not part of MDX-R3