

TECHNICAL BULLETIN

No. UV 2015-3 • ULTRA UV • October 1, 2015

CLEAR O3 AND ULTRA UV INSTALLATIONS WITH VENTURI MANIFOLD AND A CHLORINATOR

When installing a Clear O3 and an Ultra UV with a Pressure Side Venturi Injector Manifold in the same pool system it is recommended, for maximum sanitation, that the Venturi Manifold be installed after the filter followed by the Ultra UV.

Pool systems that have erosion type chlorine/bromine feeders we recommend installing a feeder designed for off line plumbing installations offered by several pool equipment manufacturers.

The inlet water being supplied to the feeder should be tapped between the pump discharge and the inlet to the filter. The discharge from the feeder should return to the piping to the pool after the heater or after the last component in the system. Follow the feeder manufacturer's instructions for installation of the feeder.

Please refer to the Plumbing Diagram Figure 1.

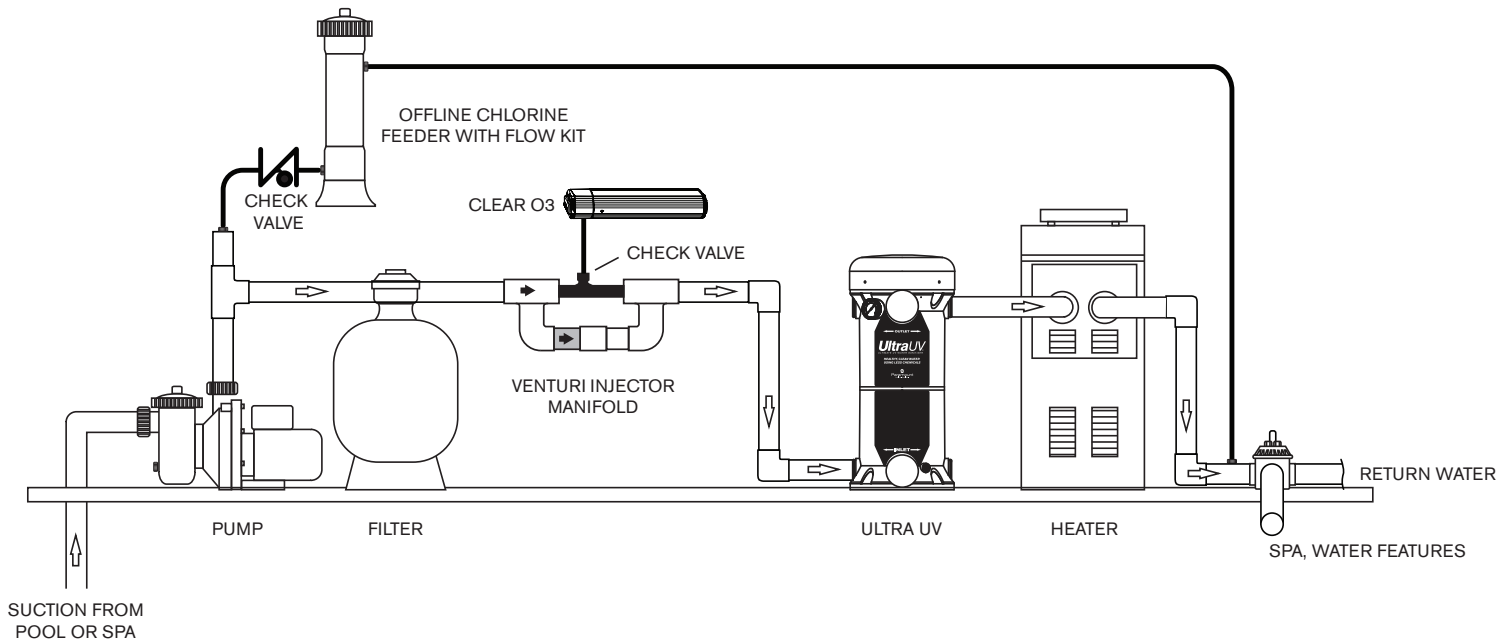


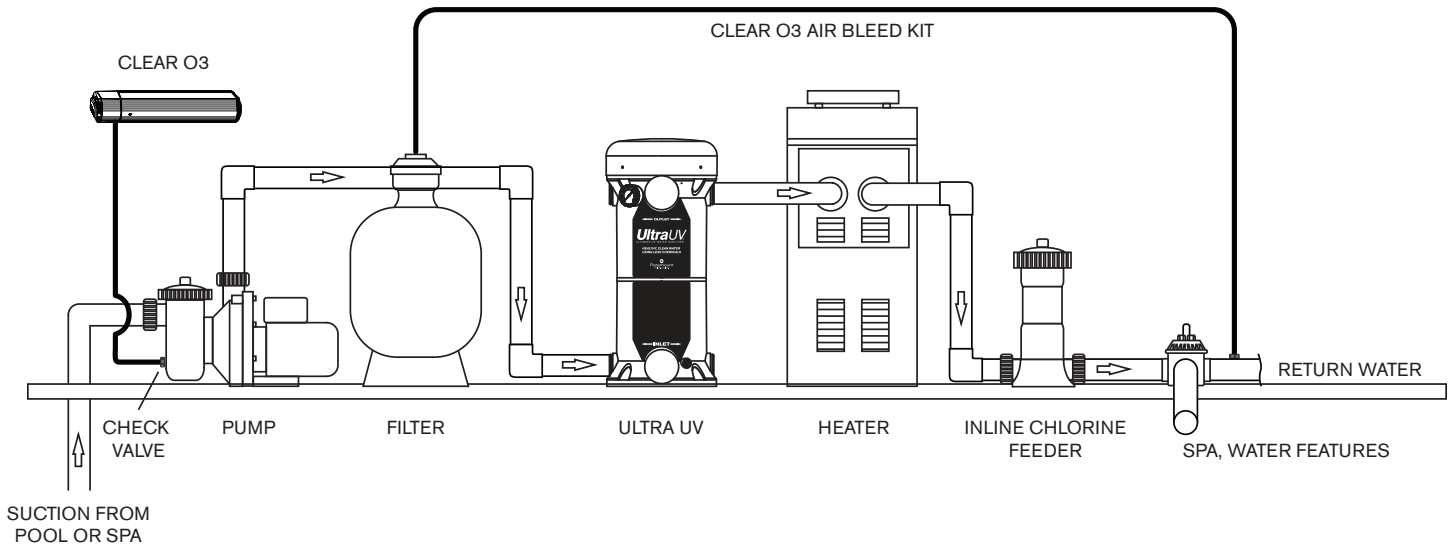
Figure 1

This piping arrangement is required to prevent air and ozone from getting into the chlorine feeder and hampering its performance, and to prevent chlorine from getting into the Ultra UV or other equipment and causing damage.

CLEAR O3 AND ULTRA UV INSTALLATIONS WITH OZONE INTRODUCED AT THE PUMP AND AN INLINE CHLORINATOR

When installing a Clear O3 and an Ultra UV in the same pool system, where the Ozone is piped into the pump strainer pot or into a standpipe before the pump suction, it is recommended that an air bleed be installed to remove excess air from the filter and return it to the pool piping downstream of the inline chlorinator, which should be the last component in the system. The Clear O3 Air Bleed Kit is available from Paramount. Item No: 006-402-3872-00. Please refer to the Plumbing Diagram Figure 2.

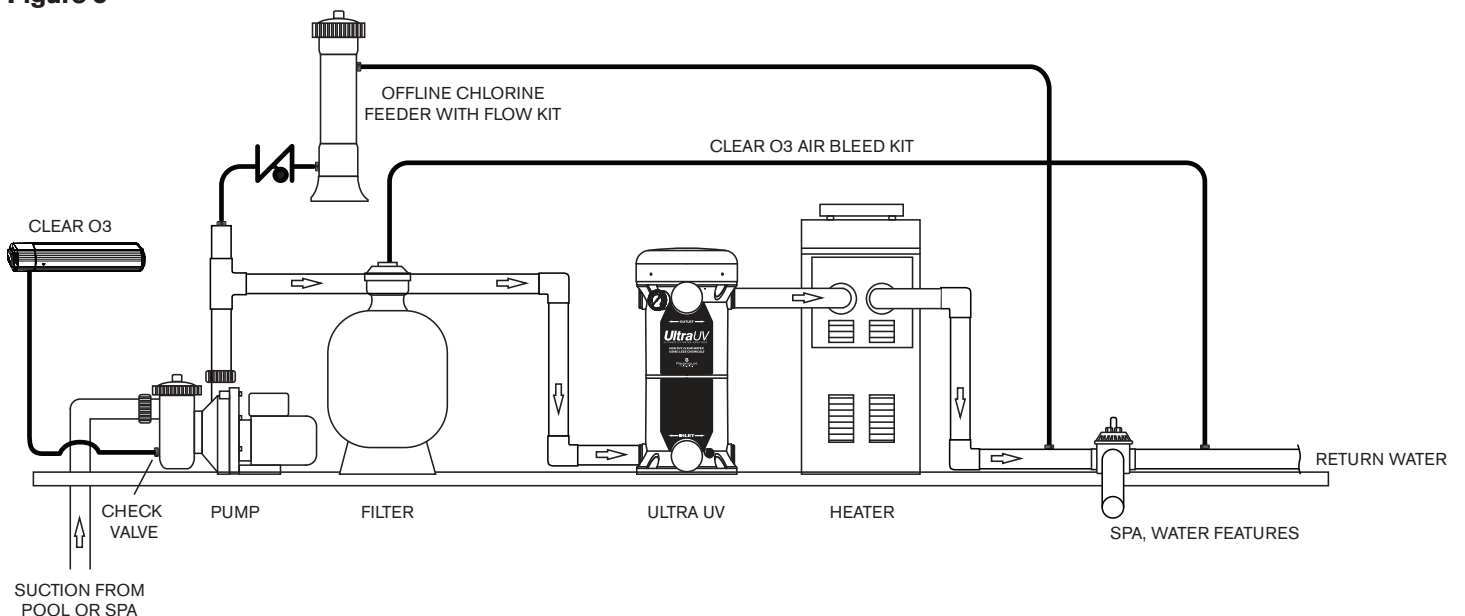
Figure 2



CLEAR O3 AND ULTRA UV INSTALLATIONS WITH OZONE INTRODUCED AT THE PUMP AND AN OFFLINE CHLORINATOR

When installing a Clear O3 and an Ultra UV on the same pool system, where the Ozone is piped into the pump strainer pot or into a standpipe before the pump suction, it is recommended that an air bleed be installed to remove excess air from the filter and return it to the pool piping downstream of the Heater, or the last component in the system. The Clear O3 Air Bleed Kit is available from Paramount. Item No: 006-402-3872-00. Please refer to the Plumbing Diagram Figure 3.

Figure 3



If necessary, contact Paramount Technical Service at 1-800-621-5886 for further instructions.