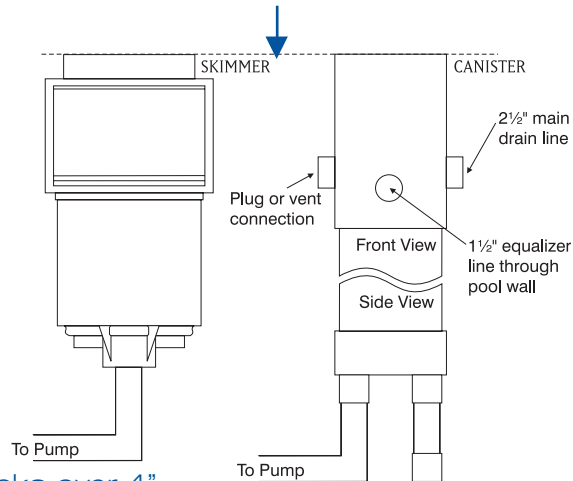


**Canister layout**

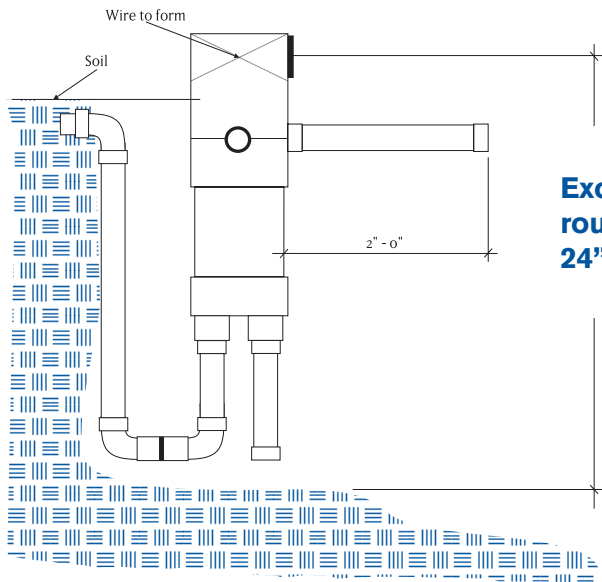
Set canister at same level as skimmer



Note: Decks over 4" thick may require a lid extension

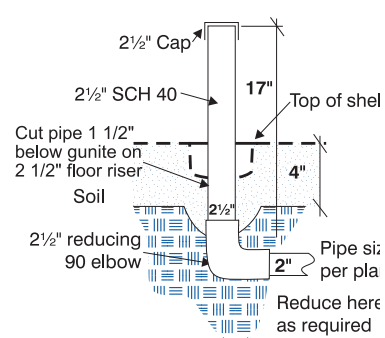
**Standard Rough-in for 3 5/8" Cantilever Deck**

Top of rim 1" above form to level with form

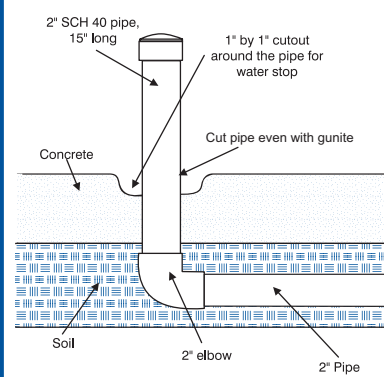


**Excavation rough-out**  
**24" x 24" x 36"**

**Floor Riser**

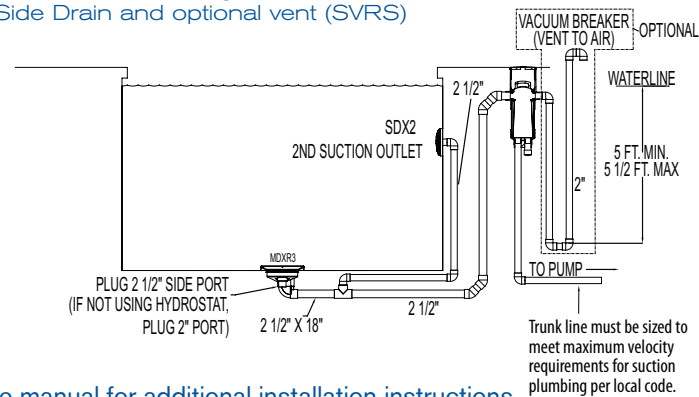


**Step Riser**



**MDXR3 Anti-Entrapment Debris Drain with Canister**

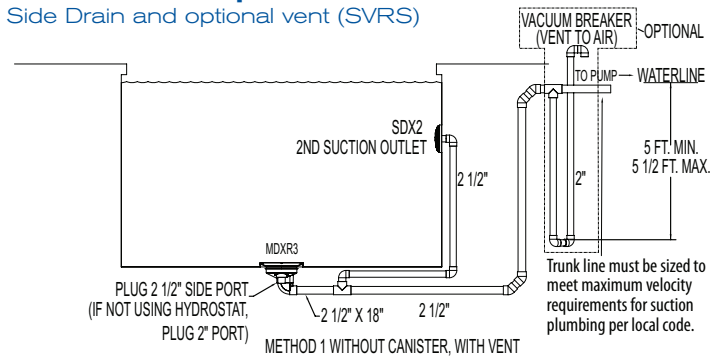
1 Side Drain and optional vent (SVRS)



See manual for additional installation instructions

**MDXR3 Anti-Entrapment Debris Drain without Canister**

1 Side Drain and optional vent (SVRS)

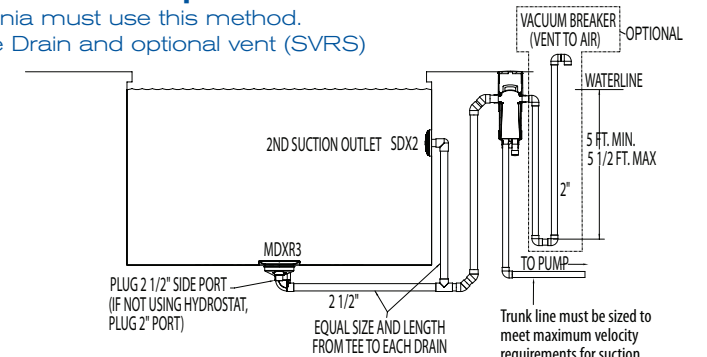


See manual for additional installation instructions

**MDXR3 Anti-Entrapment Debris Drain with Canister**

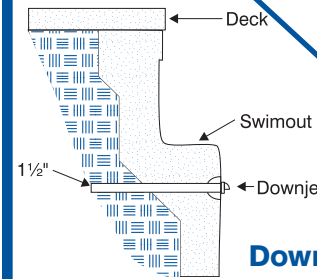
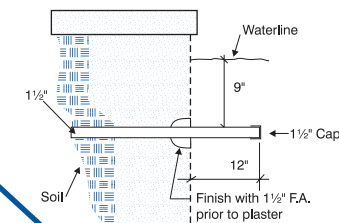
California must use this method.

1 Side Drain and optional vent (SVRS)



See manual for additional installation instructions

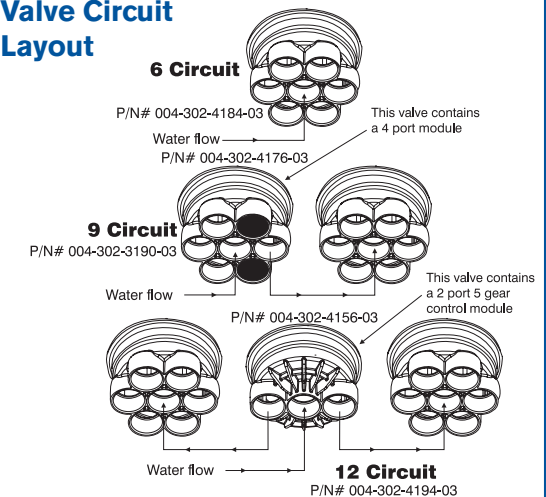
**Downjets**



**Downjet Detail**

**Consult MDXR3 Installation Manual for Florida Method**

**Valve Circuit Layout**



**Rotary Nozzle Placement**

1. Single nozzle on a circuit maximum distance to next head 10 feet
2. Two nozzles on a circuit maximum distance to next head eight feet
3. Cleaning nozzles off the deep end wall or shallow end wall must be placed two feet from finish wall, unless factory drawing shows otherwise.
4. 3/8" nozzles are normally used on steps & benches and have a radius of five feet. Allow a one foot overlap for large steps and benches. 1/4" should be used on top steps
5. Water flow does not bend. The area to be cleaned must be in the line of sight of the nozzle.
6. If pool has a break, a nozzle or nozzles must be placed two feet after break.
7. Pools wider than 16 feet cannot be cleaned with a single nozzle.
8. Cleaning nozzles in raised spas or fountains must have a check valve at the water valve.

**Fixed Nozzles, Down Jets, and MDXR3 Anti-Entrapment Debris Drain**

9. Fixed heads are always equal distances from main drain and placed at equal distances from the cleaning nozzles on each side. Fixed heads must have a dedicated line valved off the filter pump.
10. There must always be a down jet with an unobstructed flow to the areas behind the fixed nozzle, on the side wall.
11. Pools 12 feet or narrower at the main drain may not have fixed heads.

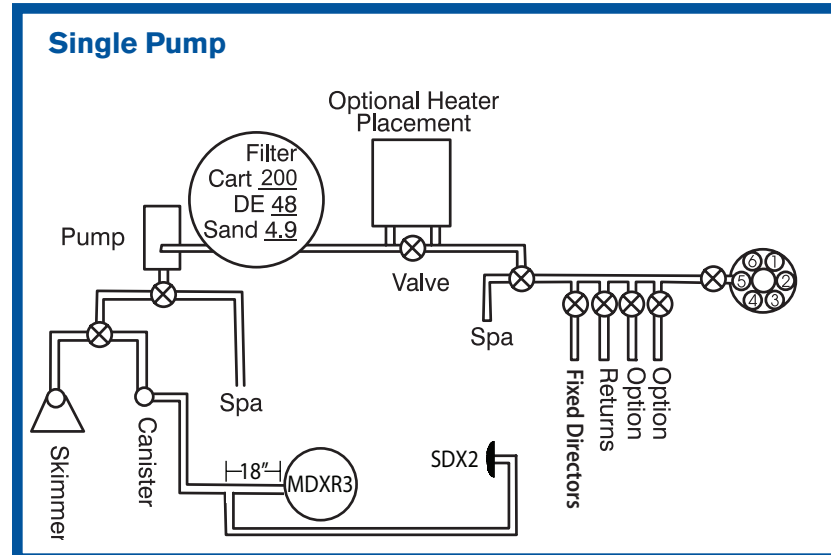
12. Main drain should be plumbed in 2 1/2" pipe. Never use 90 ells, the main drain should be a minimum of seven feet from the deep end wall, nine feet is preferred.

**Equipment Plumbing**

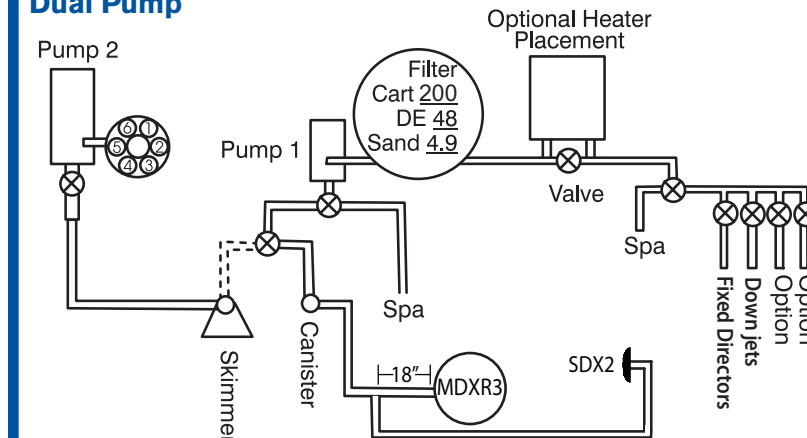
13. Heater must have a minimum one inch external bypass on single pump systems or preferably a valved line.
14. Solar must have a booster pump.
15. Multi port valves, with the exception of Pac Fab's two inch #26-1055 or 52 multi port, have too much restriction and should not be used on single pump systems.

**Remember:**

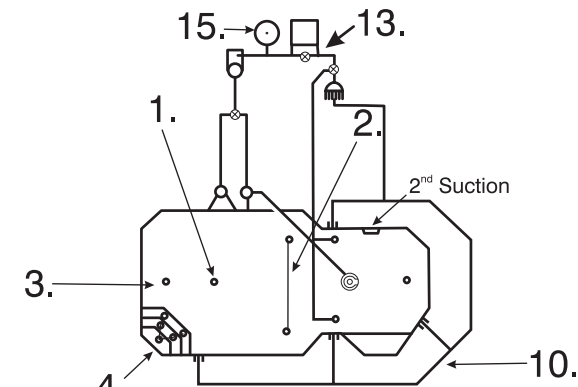
- Nozzle per circuit = 3/4" nozzles/50 gpm, 10 feet maximum distance to the next nozzle.
- Nozzle per circuit = 1/2" nozzles/25 gpm, eight feet maximum distance to the next nozzle.



**Dual Pump**

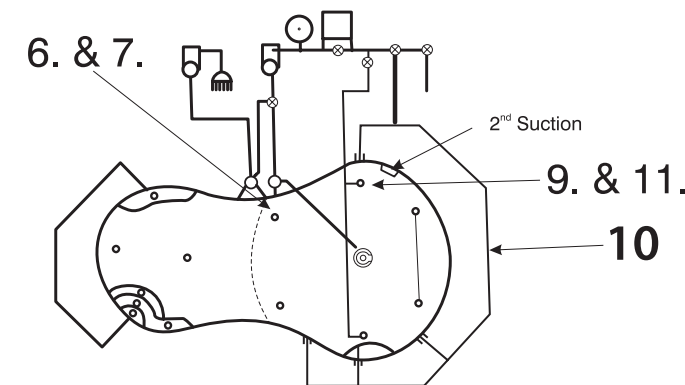


**PCC 2000 Layout Example One Pump**



\*Numbers correspond to text on previous page.

**PCC 2000 Layout Example Two Pump**



\*Numbers correspond to text on previous page.