



SDX₂[®]

HIGH FLOW SAFETY DRAIN

SDX2 HIGH FLOW SAFETY DRAIN

SUBMERGED SUCTION OUTLET
FOR SINGLE OR MULTIPLE DRAIN USE
FOR USE ON WALL OR FLOOR

OWNER'S MANUAL MAINTENANCE & INSTALLATION GUIDE



VGB 2008
Compliant



NOTICE

Read and follow these instructions. Give these instructions to the facility owner to keep for future reference. Follow all codes and regulations that apply to the design, installation, maintenance and use of suction outlet fittings.



WARNING

SDX2 and SDX2 Retro must be installed in accordance with Paramount's written instruction & maintenance manual, and in conformity with applicable Federal, State, Local and Swimming pool industry building and safety codes.

295 East Corporate Place • Suite 100 • Chandler, AZ 85225

Toll Free: 1.800.621.5886 • Phone: 480.893.7607 • Fax: 480.753.3397

Paramount@1Paramount.com • www.1Paramount.com


Paramount
Pool Life. Simplified.

NOTICE

Read and follow these instructions. Give these instructions to the facility owner to keep for future reference. Follow all codes and regulations that apply to the design, installation, maintenance and use of suction outlet fittings.



WARNING

SDX2 and SDX2 Retro must be installed in accordance with Paramount's written instruction & maintenance manual, and in conformity with applicable Federal, State, Local and Swimming pool industry building and safety codes.



DANGER

DEATH or **SERIOUS INJURY** will result from pool or spa drain covers or grates that are improperly installed, missing, clogged, or broken.

- Inspect pool and spa before each use to ensure that drain covers and grates are properly in place and secured.

MAINTENANCE INSTRUCTIONS & WARNINGS:



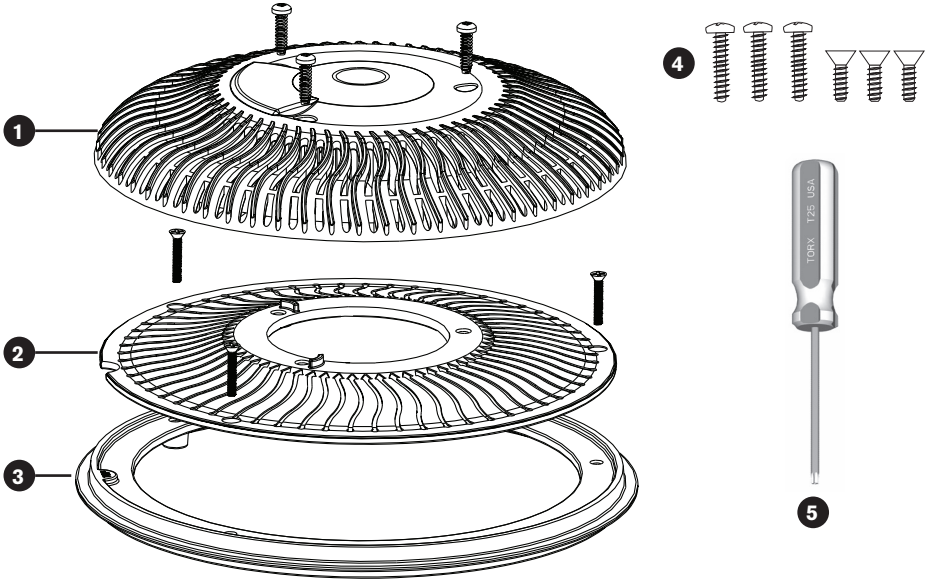
WARNING

DEATH or **SERIOUS INJURY** can result from pool or spa drain covers or grates that are clogged by debris.

- All pool and spa drain covers may become obstructed by debris and should be cleaned periodically due to clogging from debris, such as pieces of plastic, hair, fabric, twigs, leaves, seeds, etc.
- The frequency of periodic cleaning will vary depending on the amount and type of debris introduced into the pool or spa
- Clogging of the drain cover will increase the suction effect and increase the likelihood of death or serious injury from those hazards listed above.
- A clogged drain can negatively affect the safety of the drain.
- It is advisable to have a qualified pool or spa professional perform this inspection and debris removal from the pool an spa drain covers.

SDX2 CONCRETE PART NUMBERS

Replace within 05 installed years



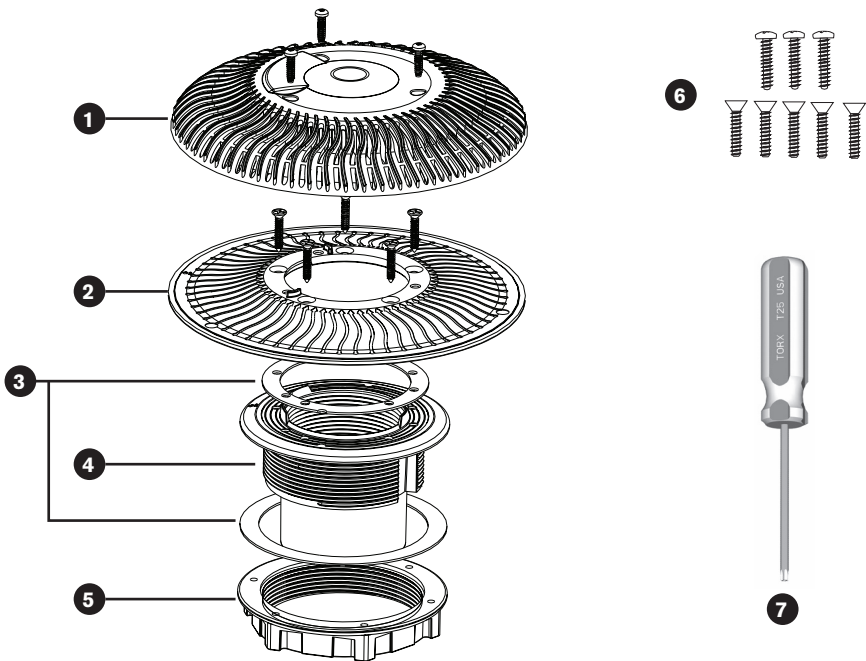
Item	Part Number	Description
1	005-252-2097-XX	SDX2 Cover w/ Screws Concrete
2	005-252-2066-00	SDX2 Support Concrete
3	005-252-2050-00	SDX2 Ring Concrete
4	005-252-0810-00	SDX2 Screw Pack Complete
5*	005-252-0895-00	T25 Security Screwdriver

XX = Color Code

* Not Part of SDX2

SDX2 VINYL/FIBERGLASS PART NUMBERS

Replace within 05 installed years



Item	Part Number	Description
1	005-252-2098-XX	SDX2 Cover w/ Screws Vinyl/Fiberglass
2	005-252-2061-00	SDX2 Support Vinyl/Fiberglass
3	005-252-0072-00	SDX2 Gasket Set Vinyl/Fiberglass
4	005-252-2035-00	SDX2 Bulkhead Vinyl/Fiberglass 2 1/2"/3"
5	005-252-2090-00	SDX2 Bulkhead Nut
6	005-252-0811-00	SDX2 Screw Pack Complete for Vinyl & Fiberglass
7*	005-252-0895-00	T25 Security Screwdriver

XX = Color Code

* Not Part of SDX2