



Since applying for our first in-floor cleaning patent in 1967, Paramount has been a leader in pool technologies. Developing cleaning and circulation systems that will deliver superior results, while paying for themselves over the lifetime of the pool.

All Paramount products are made in America and designed to make your pool experience the most carefree and enjoyable experience possible.

"Our passion is driven by creating innovative products and services that simplify your pool life"



  
**Paramount**

The World's #1 In-Floor Cleaning Systems Company  
1Paramount.com | 1.800.621.5886



©2025 Hayward Industries, Inc.

004022898900 REV01292025

PARASKIM V VENTURI SKIMMER

- MORE EFFICIENCY
- MORE SAFETY
- LESS ENERGY

# SKIMMING MADE SMART.



**PARASKIM V**<sup>®</sup>  
VENTURI ENHANCED SKIMMER

# THE MOST ADVANCED VENTURI SKIMMER EVER.

UP TO 70% MORE EFFICIENT THAN OTHER VENTURI SKIMMERS.

UP TO 200% MORE EFFICIENT THAN STANDARD SKIMMERS.

Standard pool skimmers were not designed with today's modern pool pumps in mind. As more and more pools include variable/multiple speed pump technology, conventional skimmers no longer work properly at removing debris because of reduced flow at lower speeds. This results in diminished debris removal, meaning more debris may settle to the bottom of your pool and require more effort to remove.

ParaskimV works brilliantly with multi-speed pumps without sacrificing a cleaner pool. In fact, ParaskimV can generate the same skimming action just as effectively at a pump's slower speeds, so you can take full advantage of the energy savings available with a multi-speed pump. ParaskimV can even enhance the skimming action when using a single speed pool pump by combining the venturi effect with the standard skimmer operation.

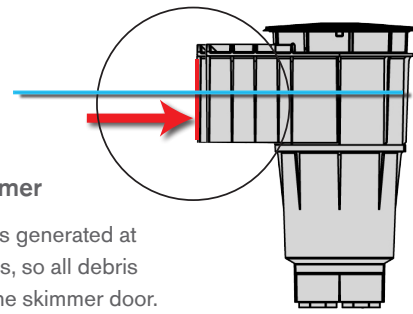
Since ParaskimV can effectively remove debris from the surface at lower pump speeds, you can direct 100% suction to the main drain of the pool, maximizing its ability to remove heavier settled debris.

ParaskimV skimmer's offset venturi design allows easy access for vacuum hose connections.\* Or better yet, partner ParaskimV with a Paramount in-floor cleaning system for the ultimate in pool cleaning and circulation.

Let the advanced ParaskimV simplify your pool life.

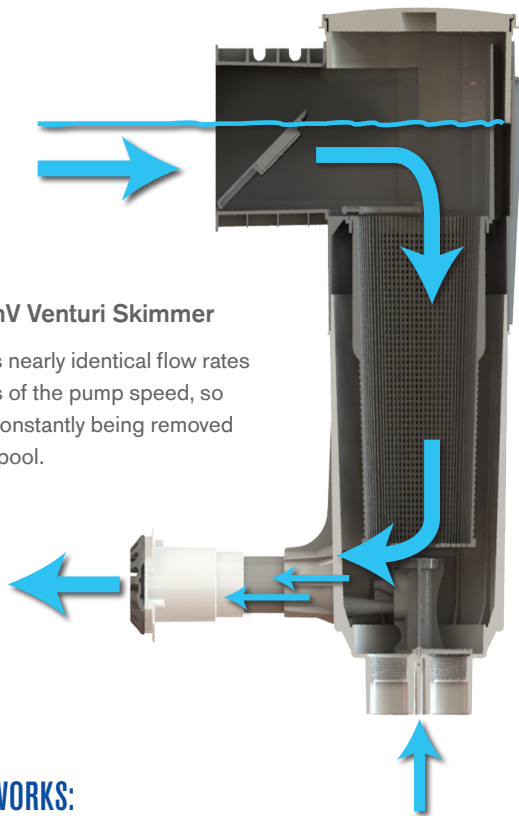
**PARASKIMV**  
VENTURI ENHANCED SKIMMER

\*When installed with direct pump suction. US and Foreign Patents: [www.1paramount.com/support/patent-numbers/](http://www.1paramount.com/support/patent-numbers/)



## Standard Skimmer

Not enough flow is generated at low pumps speeds, so all debris collects outside the skimmer door.



## ParaskimV Venturi Skimmer

Generates nearly identical flow rates regardless of the pump speed, so debris is constantly being removed from your pool.

## HOW IT WORKS:

Named after Italian Physicist Giovanni Battista Venturi, this phenomenon occurs when fluid flowing through a pipe is forced through a narrow section. The result is a decrease in pressure and an increase in velocity, and is what makes this Venturi skimmer perform so well.

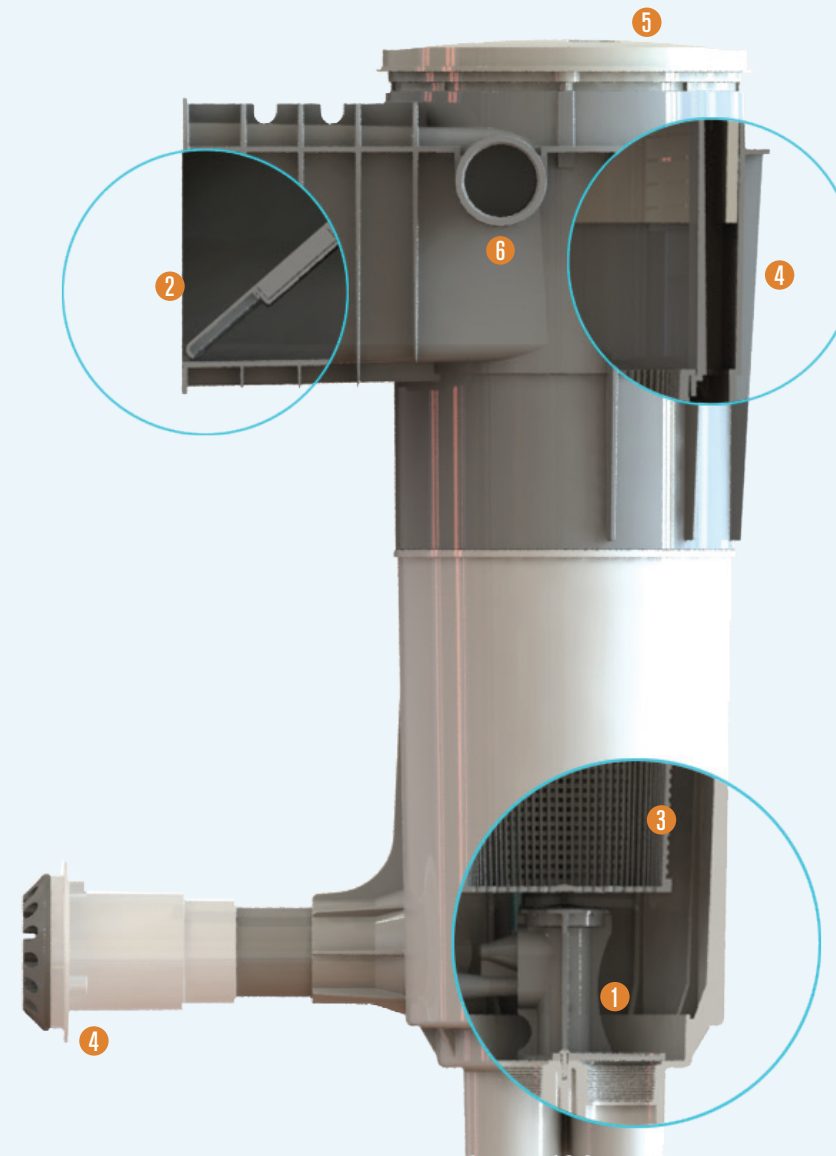
So how does a skimmer use this phenomenon?

Water from the pump is directed through the Venturi nozzle and back to the pool. This creates a vacuum, causing water to flow through the mouth of the skimmer and collect surface debris. Even at low speed settings, this can more than double the skimming, filtering and circulation performance of any pool using a standard skimmer.

ParaskimV Venturi skimmer is constantly drawing debris from the pool, regardless of the speed the pool's pump is running. So, run your pump at low speeds, save money and know your skimmer is still doing its job.

# HIGH-PERFORMANCE FEATURES & ENERGY SAVING DESIGN

## FEATURES NO OTHER VENTURI SKIMMER CAN MATCH



### 1 PATENTED VENTURI NOZZLE

- Effective skimming even at low pump speeds
- Lower energy costs without sacrificing performance
- Offset design allows easy vacuum hose connection
- Alternate method of introducing ozone

### 2 WEIR DOOR DESIGN

- Notched design for better flow at lower pump speeds
- Less potential for debris to become trapped

### 3 DEBRIS BASKET

- Largest on the market means less maintenance
- Includes fine mesh bag for fine debris removal

### 4 SAFEST VENTURI SKIMMER AVAILABLE

- Interior vacuum relief and return guard cover provide additional layers of safety
- High relief point less likely to become blocked

### 5 DECK LID

- Allows for full-open inside skimmer throat
- Works with Pour-A-Lid™ and paver decks
- Available in white, beige and light grey

### 6 OVERFLOW PORT

- Largest on the market (1 1/2" or 2" vs. competitions 3/4" to 1")
- Optional use in high storm regions



An elegantly simple design, the ParaskimV venturi nozzle enables the skimmer to provide almost identical flow rates regardless of the speed of the pump. So now you can take advantage of the energy savings a multi-speed pump offers, and not have to sacrifice skimming performance and a clean swimming pool.

